

SOLATUBE INTERNATIONAL

IMPACT 750 DS (21") DOME TUBULAR DAYLIGHT DEVICE

INSTALLATION ANCHORAGE DETAILS

PROJECT NUMBER: 415-0316	
C	UPDATE TO 5TH EDITION (2014) FBC REVISED ANCHORAGE
B	4/14/14 RJA
A	UPDATE TO 2010 FBC
REV	DESCRIPTION
	DATE
	BY

GENERAL NOTES:

1. THE PRODUCT ANCHORAGE SHOWN HEREIN IS DESIGNED TO COMPLY WITH THE CURRENT EDITION OF THE FLORIDA BUILDING CODE (FBC) REQUIREMENTS, INCLUDING HIGH VELOCITY HURRICANE ZONE (HVHZ) AT THE DESIGN PRESSURES STATED HEREIN.
2. THE PRODUCT DETAILS CONTAINED HEREIN ARE BASED UPON SIGNED AND SEALED TEST REPORT ATI83404.01-301-18 AND ASSOCIATED LABORATORY STAMPED DRAWINGS.
3. THE PRODUCT HAS BEEN TESTED TO TAS 201, TAS 202 AND TAS203 (ATI TEST REPORT ATI 83404.01-301-18) AND FOUND TO BE IN CONFORMANCE WITH THE CURRENT EDITION OF THE FLORIDA BUILDING CODE (FBC) INCLUDING HIGH VELOCITY HURRICANE ZONE. THE DESIGN PRESSURES SHOWN IN DESIGN PRESSURE RATING TABLE ON SHEET 1 OF THIS DRAWING ARE BASED ON THE RESULTS OF TEST REPORT NO. ATI 83404.01-301-18 DIVIDED BY A FACTOR OF SAFETY OF 2 WHERE APPLICABLE.
4. PLASTIC COMPONENTS OF THE SOLATUBE TUBULAR DAYLIGHT DEVICE HAVE BEEN EVALUATED TO THE REQUIREMENTS OF THE CURRENT EDITION OF THE FLORIDA BUILDING CODE INCLUDING THE HIGH VELOCITY ZONE AND ARE IN COMPLIANCE AS DOCUMENTED IN PRODUCT EVALUATION REPORT NO. 1973 BY ROBERT J. AMORUSO, P.E.
5. ADEQUACY OF THE EXISTING STRUCTURAL ROOF SHEATHING AND SUPPORTING 2X FRAMING AS A MAIN WIND FORCE RESISTING SYSTEM CAPABLE OF WITHSTANDING AND TRANSFERRING APPLIED PRODUCT LOADS TO THE FOUNDATION IS THE RESPONSIBILITY OF THE ENGINEER OR ARCHITECT OF RECORD FOR THE PROJECT OF INSTALLATION.
6. THE INSTALLATION DETAILS DESCRIBED HEREIN ARE GENERIC AND MAY NOT REFLECT ACTUAL CONDITIONS FOR A SPECIFIC SITE. IF SITE CONDITIONS CAUSE INSTALLATION TO DEVIATE FROM THE REQUIREMENTS DETAILED HEREIN, A LICENSED ENGINEER OR ARCHITECT SHALL PREPARE SITE SPECIFIC DOCUMENTS FOR USE WITH THIS DOCUMENT.
7. THIS PRODUCT EVALUATION DOCUMENT ADDRESSES THE STRUCTURAL ATTACHMENT OF THE SKYLIGHT/TUBULAR DAYLIGHT DEVICE TO THE ROOF SHEATHING ONLY. PREPARATION OF THE ROOF SHEATHING AND ROOF COVERING(S) TO RECEIVE THE SKYLIGHT/TUBULAR DAYLIGHT DEVICE SHALL BE PER THE MANUFACTURER'S INSTRUCTIONS AND COMPLIANT WITH CHAPTER 15 OF THE CURRENT EDITION OF THE FLORIDA BUILDING CODE AND CHAPTER 9 OF THE CURRENT EDITION OF THE FLORIDA RESIDENTIAL CODE.
8. IN ACCORDANCE WITH THE CURRENT EDITION FBC DISSIMILAR METALS INCLUDING FASTENERS THAT MAY COME INTO CONTACT WITH ALUMINUM SKYLIGHT FRAMING SHALL HAVE BEEN PROTECTED.

INSTALLATION NOTES:

1. ONE (1) INSTALLATION ANCHOR IS REQUIRED AT EACH ANCHOR LOCATION SHOWN ON SHEETS 2 AND 3.
2. THE NUMBER OF INSTALLATION ANCHORS DEPICTED IS THE MINIMUM NUMBER OF ANCHORS TO BE USED FOR PRODUCT INSTALLATION. ALL UNITS REQUIRE SIXTEEN (16) ANCHORS MINIMUM EQUALLY SPACED AROUND THE PERIMETER OF THE FLASHING. ANCHOR ENGINEERING BASED ON ENGAGEMENT INTO ROOF SHEATHING AND NOT 2X ROOF FRAMING.
 - 2.1. INSTALLATION SHALL BE INTO 7/16" MINIMUM THICKNESS ROOF SHEATHING (SEE NOTE 6 BELOW).
 - 2.2. IF TDD INSTALLATION LOCATION REQUIRES ANCHORS TO ENGAGE INTO 2X FRAMING, THAT IS ACCEPTABLE.
3. ANCHOR REQUIREMENTS;
 - 3.1. FOR INSTALLATION INTO 7/16" MINIMUM THICKNESS ROOF SHEATHING (SEE NOTE 6 BELOW), USE A #10 TYPE AB PAN HEAD, ROUND HEAD OR TRUSS HEAD TAPPING SCREWS MEETING ASME/ANSI B18.6.4 OF SUFFICIENT LENGTH TO ENSURE PROTRUDING SCREW THREADS AT LEAST 1/2" BEYOND THE INTERIOR SURFACE OF ROOF SHEATHING. EDGE DISTANCE FROM CENTERLINE OF SCREW TO EDGE OF SHEATHING SHALL BE AT LEAST 3/4 INCH.
 - 3.2. FOR INSTALLATION THROUGH ROOF SHEATHING INTO 2X WOOD ROOF FRAMING (SEE NOTE 6 BELOW), USE A #10 TYPE AB PAN HEAD, ROUND HEAD OR TRUSS HEAD TAPPING SCREWS MEETING ASME/ANSI B18.6.4 OF THE SAME LENGTH AS REQUIRED IN NOTE 3.1 ABOVE. EDGE DISTANCE FROM CENTERLINE OF SCREW TO EDGE OF SHEATHING SHALL BE AT LEAST 3/4 INCH.
4. MINIMUM EMBEDMENT AND EDGE DISTANCE EXCLUDE ROOF FINISHES.
5. INSTALLATION ANCHORS MUST BE MADE OF CORROSION RESISTANT MATERIAL OR HAVE A CORROSION RESISTANT COATING.
6. INSTALLATION ANCHOR CAPACITIES FOR PRODUCTS HEREIN ARE BASED ON SUBSTRATE MATERIALS WITH THE FOLLOWING PROPERTIES. ROOF SHEATHING THICKNESS, GROUP OR GRADE MAY BE MANDATED BY JURISDICATION REQUIREMENTS, THEREFORE THICKNESS AND GROUP/GRADE SHOWN BELOW WILL BE CONSIDERED MINIMUM.
 - 6.1. 7/16" THICK PLYWOOD - SPECIES GROUP 1 OR 2 (APA VOLUNTARY PRODUCT STANDARD PS 1) MINIMUM.
 - 6.2. 7/16" OSB - SHEATHING GRADE (APA VOLUNTARY PRODUCT STANDARD PS 2) MINIMUM.
7. INSTALLATION/MOUNTING CONDITIONS AND LIMITATIONS OF USE AS REQUIRED BY THE FOLLOWING SECTIONS OF THE CURRENT EDITION OF THE FLORIDA BUILDING CODE (FBC) AND FLORIDA RESIDENTIAL CODE (FRC) SHALL BE MET.
 - 7.1. FBC CHAPTER 24, SLOPED GLAZING AND SKYLIGHTS
 - 7.2. FBC CHAPTER 26, LIGHT-TRANSMITTING PLASTIC SKYLIGHT GLAZING
 - 7.3. FRC CHAPTER 3, SKYLIGHTS AND SLOPED GLAZING
8. A CURB CONSTRUCTED IN ACCORDANCE WITH THE REQUIREMENTS FOR THE TYPE OF CONSTRUCTION CLASSIFICATION, BUT AT LEAST 4 INCHES ABOVE THE PLANE OF THE ROOF BY OTHERS IS ALLOWED. ADDITIONAL INSTALLATION DETAILING AND ENGINEERED INSTALLATION EVALUATION BY A LICENSED DESIGN PROFESSIONAL WILL BE REQUIRED FOR SUBMITTAL IN ADDITION TO THIS PRODUCT EVALUATION DOCUMENT.

TABLE OF CONTENTS

SHEET	DESCRIPTION
1	GENERAL AND INSTALLATION NOTES
2	ELEVATION, ANCHORING AND INSTALLATION DETAILS OPEN CEILING
3 & 4	ELEVATION, ANCHORING AND INSTALLATION DETAILS CLOSED CEILING
5	BILL OF MATERIALS

DESIGN PRESSURE RATING (PSF)		IMPACT RATING
WHERE WATER INFILTRATION REQUIREMENT IS NEEDED	WHERE WATER INFILTRATION REQUIREMENT IS NOT NEEDED	LARGE MISSILE IMPACT
±70.0	±70.0	

SOLATUBE INTERNATIONAL

2210 OAK RIDGE WAY
VISTA, CA 92081-9341

IMPACT 750 DS (21") DOME
TUBULAR DAYLIGHT DEVICE
GENERAL AND INSTALLATION NOTES

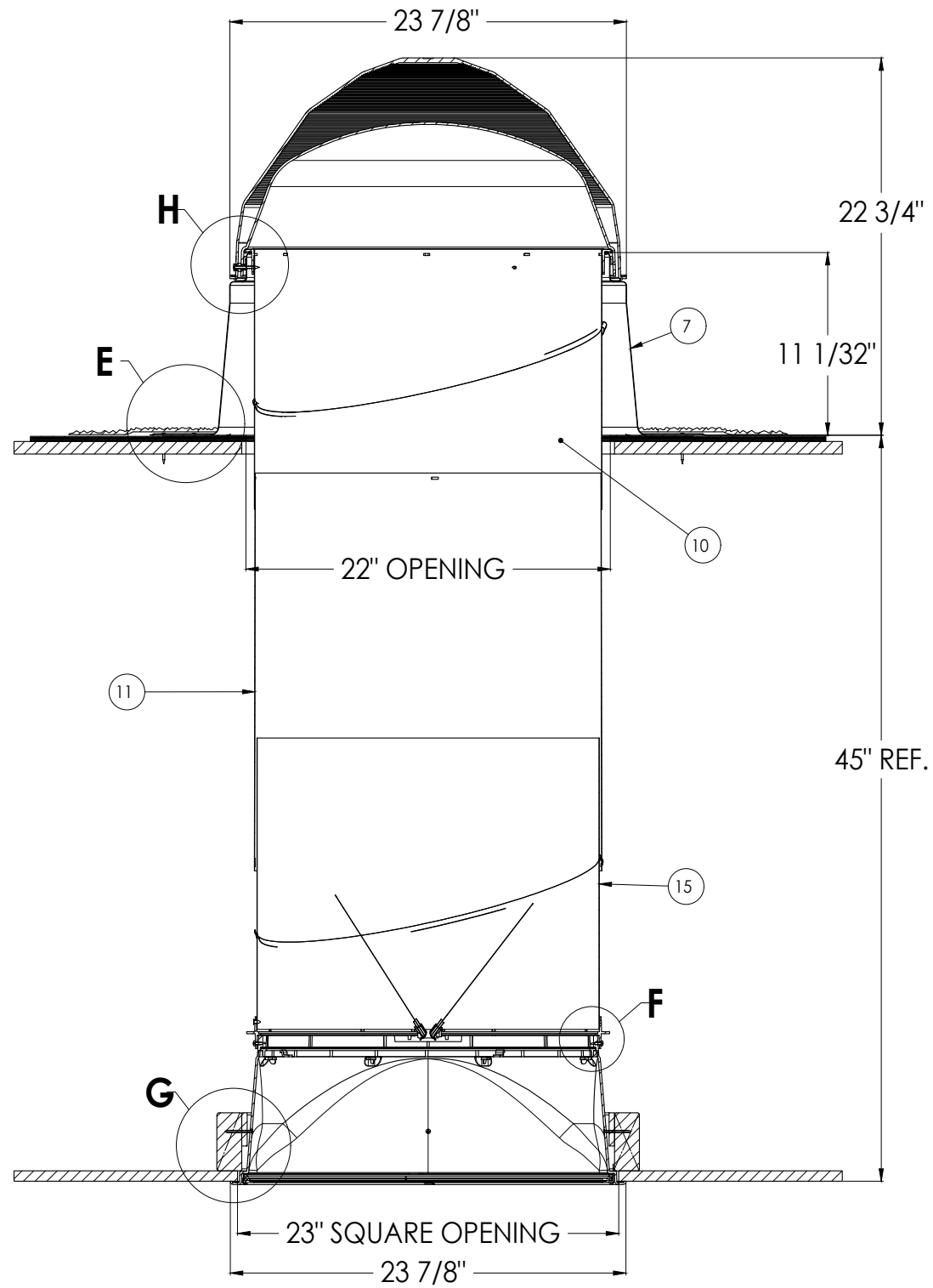
DRAWN BY: SMC
SCALE: N.T.S.
REV: C

DATE: 10/08/08
DRAWING NO: SOLA0005
SHEET: 1 OF 5

PTC PRODUCT DESIGN GROUP, LLC
PO BOX 520775
LONGWOOD, FLORIDA 32752
FBPE C.A. NO. 25935
Phone: 321.690.1788
Fax: 321.690.1789
Email: info@ptc-corp.com

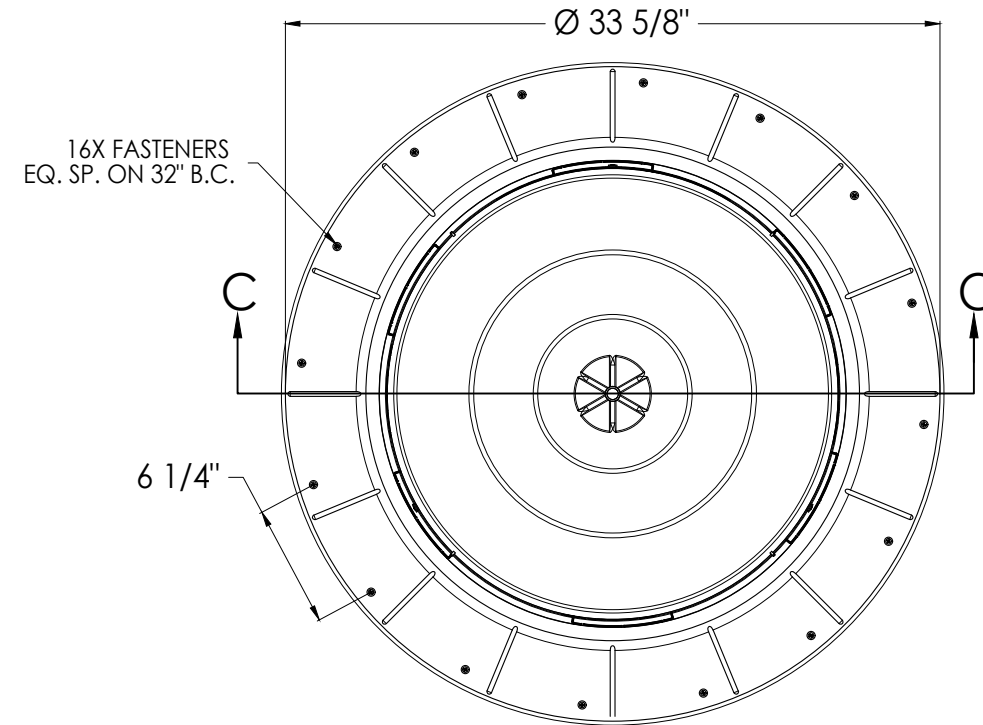
Robert J. Amoruso, P.E.
FL P.E. No. 49752

CLOSED CEILING



SECTION C-C

HARD CEILING INSTALLATION SHOWN. ALTERNATE
SUSPENDED CEILING INSTALLATION APPROVED OPTION.



CLOSED CEILING ELEVATION & ANCHOR LAYOUT

PROJECT NUMBER: 415-0316

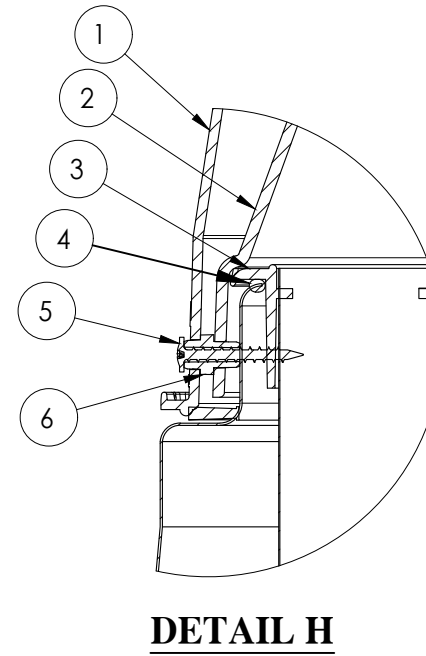
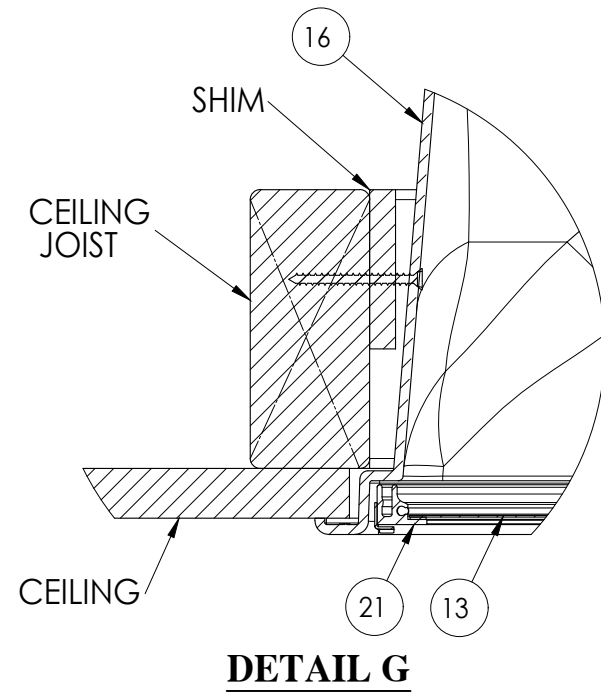
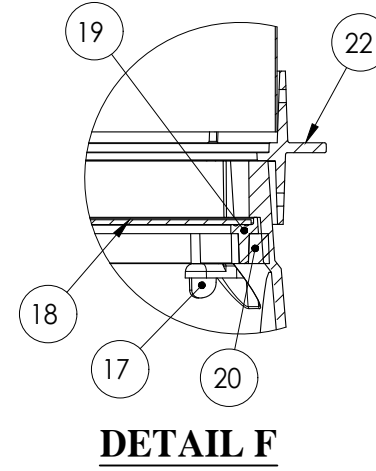
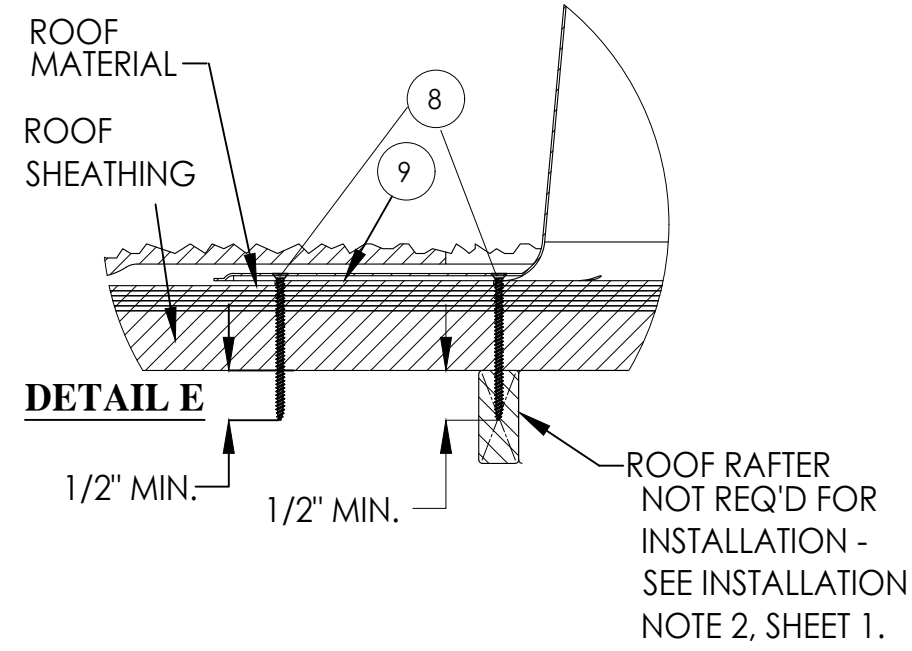
SOLATUBE INTERNATIONAL
2210 OAK RIDGE WAY
VISTA, CA 92081-9341

TITLE: IMPACT 750 DS (21") DOME
TUBULAR DAYLIGHT DEVICE
ELEVATION, ANCHORING & INSTALLATION CLOSED CEILING

PREPARED BY: SMC
SCALE: N.T.S.
DATE: 10/08/08
DRAWING NO.: SOLA0005
REV: C
SHEET: 3 OF 5

REV	DESCRIPTION	DATE	BY
A	UPDATE TO 2010 FBC	12/15/11	TJH
B	REVISED ANCHORAGE	4/14/14	RJA
C	UPDATE TO 5TH EDITION (2014) FBC	05/11/15	JBH

Robert J. Amoruso, P.E.
FL P.E. No. 49752



PROJECT NUMBER: 415-0316

SOLATUBE INTERNATIONAL
 2210 OAK RIDGE WAY
 VISTA, CA 92081-9341

TITLE: IMPACT 750 DS (21") DOME TUBULAR DAYLIGHT DEVICE
 PREPARED BY: ELEVATION, ANCHORING & INSTALLATION HARD CEILING
 DRAWN BY: SMC
 SCALE: N.T.S.
 DATE: 10/08/08
 DRAWING NO.: SOLA0005
 SHEET: 4 OF 5



REV	DESCRIPTION	DATE	BY
A	UPDATE TO 2010 FBC	12/15/11	TJH
B	REVISED ANCHORAGE	4/14/14	RJA
C	UPDATED TO 5TH EDITION (2014) FBC	05/11/15	JBH

Robert J. Amoruso, P.E.
 FL P.E. No. 49752

